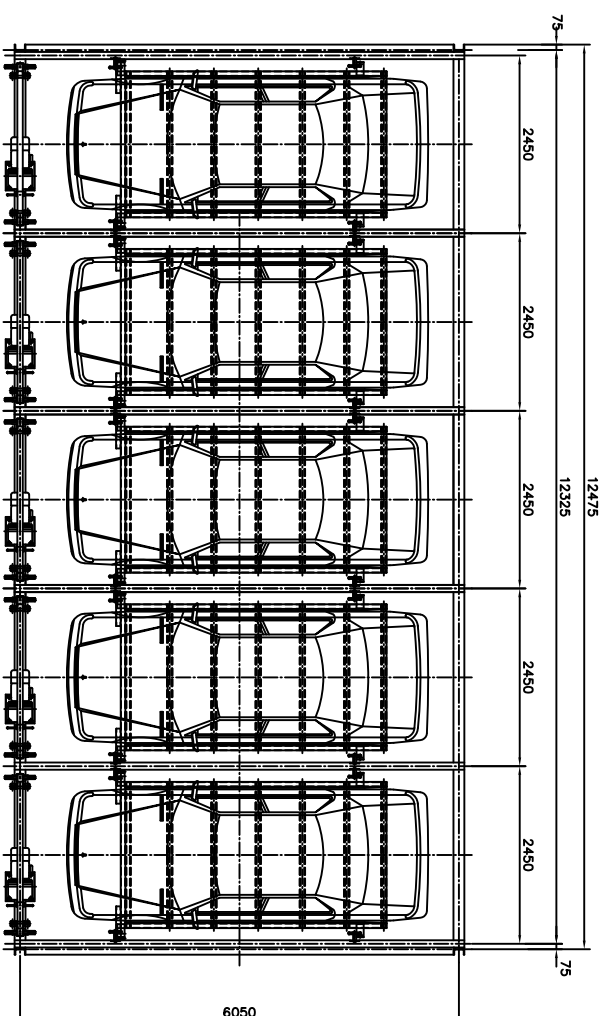
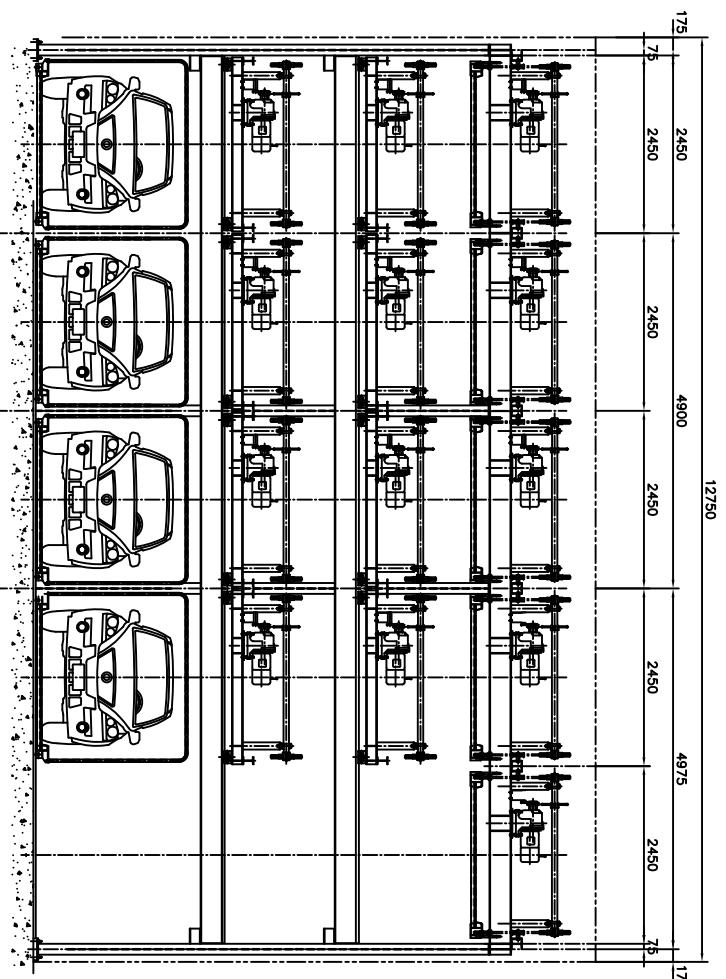


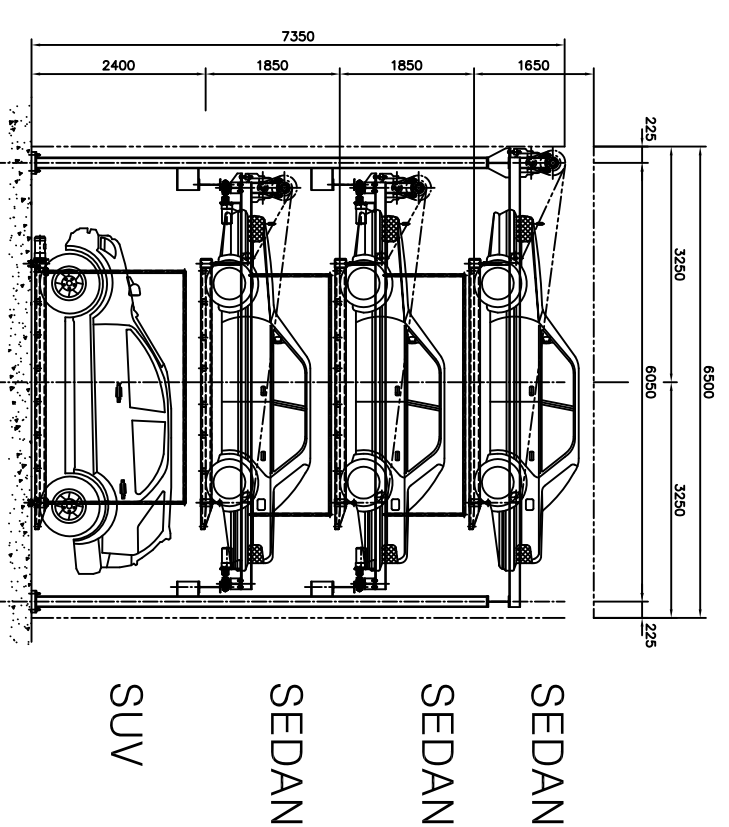
Safety and Speedy Car Parking Systems



PUZZLE SYSTEM		
TYPE	DRS VINA-PZ17L	
CAR BAYS	17 BAYS	
CAR SIZE	LENGTH	5,150mm
	WIDTH	1,870mm(2,100mm)
	HIGHT	1,550/1950mm
WEIGHT		2,200kg
LIFTING	MOTOR	3.7kwx4P
	SPEED	5m/min
TRAVELING	MOTOR	0.4kwx4P
	SPEED	8m/min
POWER SUPPLY	AC380Vx3Px50Hz	



FRONT VIEW



SIDE VIEW

NOTE



SCALE	PROJECT	PROJECT -	DWG. NO.
A3 1/150	RUSSIA	PUZZLE SYSTEM	P-02
DATE	DWG.NAME	PROJECT	DWG. NO.
AUG 2011	GENERAL DRAWING	PUZZLE SYSTEM	